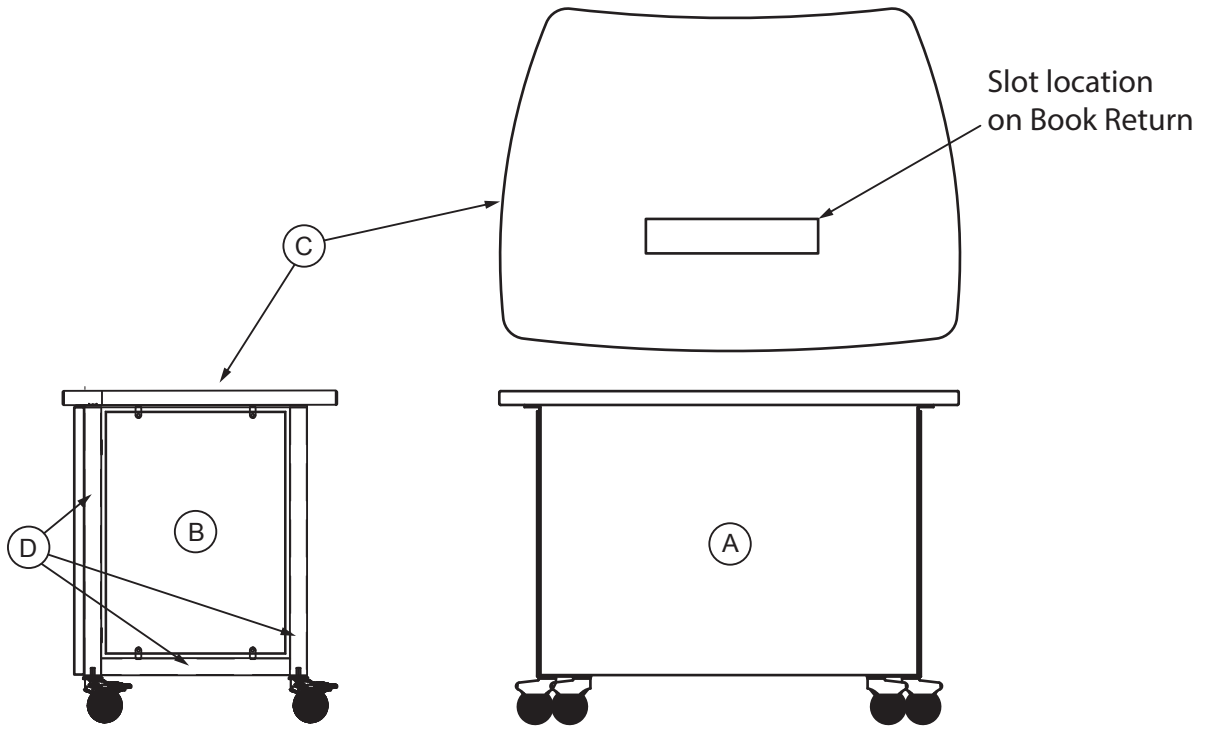


JOB #

NOMAD Book Return FINISH DESIGNATION



ND-40BR-MOB

A. Main (Front) Panel HPL _____

B. Side Panels HPL _____

C. Worksurface HPL _____

C. Worksurface PVC _____

D. Powder Coat _____