

General Specifications

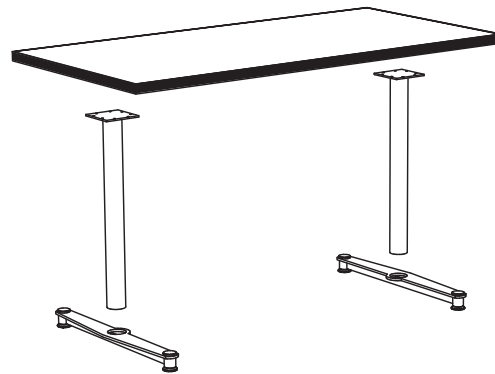
Top: Top is 1-1/4" thick, three ply engineered panel construction with a .050" high pressure laminate worksurface, 1-1/8" industrial particle board core, and a phenolic backer/balance sheet.

Legs: Table consists of two 22" wide T Base legs. Each leg assembly includes a 2" diameter 14 gauge steel tubing on vertical, which is welded to a 4"W x 10"L x 1/4" thick steel plate. Vertical column is also welded (concealed weldment) to a 1/4" thick laser cut horizontal main bar. Main bar has a slight angle on outside of leg and the inside has a rounded shape to mimic the vertical post. The out of the mainbar receives a 1/4" thick round cap that is through mounted via mainbar. Under the main bar is a welded 3/4" diameter steel post equipped with a leveling glide. A 1/4" thick plate is TIG welded to the 3/4" diameter steel posts and the horizontal mainbar for structural integrity.

Folding Base Mechanism: A nylon injection molded body with an extruded aluminum mechanism is bolted to the leg frame via a threaded insert. Mechanism is attached to the underside of work surface using 1" #12 wood screws.

Flip Top Mechanism: Two-part steel mechanism is joined via a pivot system. Upper component attaches to underside of work surface using 1" #12 wood screws. Lower component bolts to leg frame via a threaded insert.

Finish: See mediatechnologies® Finish and Color Guide for choices.



Rectangular Tables				
Model Number	Description	Wt.	List Price	
3mm PVC Edges				
ET22-C2436-29	24"D x 36"W x 29"H, (2) 22" T Bases	57	\$977	
ET22-C2442-29	24"D x 42"W x 29"H, (2) 22" T Bases	62	\$997	
ET22-C2448-29	24"D x 48"W x 29"H, (2) 22" T Bases	69	\$1,028	
ET22-C2460-29	24"D x 60"W x 29"H, (2) 22" T Bases	82	\$1,067	
ET22-C2472-29	24"D x 72"W x 29"H, (2) 22" T Bases	94	\$1,117	
3mm PVC with Radiused Edges				
ET22-C2436R-29	24"D x 36"W x 29"H, (2) 22" T Bases	57	\$1,032	
ET22-C2442R-29	24"D x 42"W x 29"H, (2) 22" T Bases	62	\$1,047	
ET22-C2448R-29	24"D x 48"W x 29"H, (2) 22" T Bases	69	\$1,084	
ET22-C2460R-29	24"D x 60"W x 29"H, (2) 22" T Bases	82	\$1,131	
ET22-C2472R-29	24"D x 72"W x 29"H, (2) 22" T Bases	94	\$1,267	
3mm Wood Edges				
ET26-C3036-29	30"D x 36"W x 29"H, (2) 26" T Bases	68	\$1,031	
ET26-C3042-29	30"D x 42"W x 29"H, (2) 26" T Bases	75	\$1,056	
ET26-C3048-29	30"D x 48"W x 29"H, (2) 26" T Bases	83	\$1,092	
ET26-C3060-29	30"D x 60"W x 29"H, (2) 26" T Bases	97	\$1,142	
ET26-C3072-29	30"D x 72"W x 29"H, (2) 26" T Bases	112	\$1,203	
ET26-C3642-29	36"D x 42"W x 29"H, (2) 26" T Bases	78	\$1,123	
ET26-C3648-29	36"D x 48"W x 29"H, (2) 26" T Bases	83	\$1,168	
ET26-C3660-29	36"D x 60"W x 29"H, (2) 26" T Bases	110	\$1,211	
ET26-C3672-29	36"D x 72"W x 29"H, (2) 26" T Bases	127	\$1,267	
8mm Wood Edges				
ET26-F3036-29	30"D x 36"W x 29"H, (2) 26" T Bases	68	\$1,086	
ET26-F3042-29	30"D x 42"W x 29"H, (2) 26" T Bases	75	\$1,105	
ET26-F3048-29	30"D x 48"W x 29"H, (2) 26" T Bases	83	\$1,145	
ET26-F3060-29	30"D x 60"W x 29"H, (2) 26" T Bases	97	\$1,286	
ET26-F3072-29	30"D x 72"W x 29"H, (2) 26" T Bases	112	\$1,263	
ET26-C3642R-29	36"D x 42"W x 29"H, (2) 26" T Bases	78	\$1,177	
ET26-C3648R-29	36"D x 48"W x 29"H, (2) 26" T Bases	83	\$1,228	
ET26-C3660R-29	36"D x 60"W x 29"H, (2) 26" T Bases	110	\$1,286	
ET26-C3672R-29	36"D x 72"W x 29"H, (2) 26" T Bases	127	\$1,342	

Rectangular Tables				
Model Number	Description	Wt.	List Price	
3mm Wood Edges				
ET22-E2436-29	24"D x 36"W x 29"H, (2) 22" T Bases	57	\$1,101	
ET22-E2442-29	24"D x 42"W x 29"H, (2) 22" T Bases	62	\$1,107	
ET22-E2448-29	24"D x 48"W x 29"H, (2) 22" T Bases	69	\$1,151	
ET22-E2460-29	24"D x 60"W x 29"H, (2) 22" T Bases	82	\$1,226	
ET22-E2472-29	24"D x 72"W x 29"H, (2) 22" T Bases	94	\$1,305	
3mm Wood Edges				
ET26-E3036-29	30"D x 36"W x 29"H, (2) 26" T Bases	68	\$1,157	
ET26-E3042-29	30"D x 42"W x 29"H, (2) 26" T Bases	75	\$1,168	
ET26-E3048-29	30"D x 48"W x 29"H, (2) 26" T Bases	83	\$1,218	
ET26-E3060-29	30"D x 60"W x 29"H, (2) 26" T Bases	97	\$1,299	
ET26-E3072-29	30"D x 72"W x 29"H, (2) 26" T Bases	112	\$1,388	
ET26-E3642-29	36"D x 42"W x 29"H, (2) 26" T Bases	78	\$1,287	
ET26-E3648-29	36"D x 48"W x 29"H, (2) 26" T Bases	83	\$1,353	
ET26-E3660-29	36"D x 60"W x 29"H, (2) 26" T Bases	110	\$1,395	
ET26-E3672-29	36"D x 72"W x 29"H, (2) 26" T Bases	127	\$1,455	
8mm Wood Edges				
ET22-F2436-29	24"D x 36"W x 29"H, (2) 22" T Bases	57	\$1,101	
ET22-F2442-29	24"D x 42"W x 29"H, (2) 22" T Bases	62	\$1,107	
ET22-F2448-29	24"D x 48"W x 29"H, (2) 22" T Bases	69	\$1,151	
ET22-F2460-29	24"D x 60"W x 29"H, (2) 22" T Bases	82	\$1,226	
ET22-F2472-29	24"D x 72"W x 29"H, (2) 22" T Bases	94	\$1,305	
3mm Wood Edges				
ET26-F3036-29	30"D x 36"W x 29"H, (2) 26" T Bases	68	\$1,157	
ET26-F3042-29	30"D x 42"W x 29"H, (2) 26" T Bases	75	\$1,168	
ET26-F3048-29	30"D x 48"W x 29"H, (2) 26" T Bases	83	\$1,218	
ET26-F3060-29	30"D x 60"W x 29"H, (2) 26" T Bases	97	\$1,299	
ET26-F3072-29	30"D x 72"W x 29"H, (2) 26" T Bases	112	\$1,388	
ET26-F3642-29	36"D x 42"W x 29"H, (2) 26" T Bases	78	\$1,287	
ET26-F3648-29	36"D x 48"W x 29"H, (2) 26" T Bases	83	\$1,353	
ET26-F3660-29	36"D x 60"W x 29"H, (2) 26" T Bases	110	\$1,395	
ET26-F3672-29	36"D x 72"W x 29"H, (2) 26" T Bases	127	\$1,455	

Rectangular Tables Cont.

Model Number	Description	Wt.	List Price
--------------	-------------	-----	------------

5/8" Wood Bevel Edges

ET22-J2436-29	24"D x 36"W x 29"H, (2) 22" T Bases	57	\$1,207
ET22-J2442-29	24"D x 42"W x 29"H, (2) 22" T Bases	62	\$1,214
ET22-J2448-29	24"D x 48"W x 29"H, (2) 22" T Bases	69	\$1,274
ET22-J2460-29	24"D x 60"W x 29"H, (2) 22" T Bases	82	\$1,325
ET22-J2472-29	24"D x 72"W x 29"H, (2) 22" T Bases	94	\$1,365



ET26-J3036-29	30"D x 36"W x 29"H, (2) 26" T Bases	68	\$1,274
ET26-J3042-29	30"D x 42"W x 29"H, (2) 26" T Bases	75	\$1,289
ET26-J3048-29	30"D x 48"W x 29"H, (2) 26" T Bases	83	\$1,356
ET26-J3060-29	30"D x 60"W x 29"H, (2) 26" T Bases	97	\$1,413
ET26-J3072-29	30"D x 72"W x 29"H, (2) 26" T Bases	112	\$1,484



ET26-J3642-29	36"D x 42"W x 29"H, (2) 26" T Bases	78	\$1,308
ET26-J3648-29	36"D x 48"W x 29"H, (2) 26" T Bases	83	\$1,380
ET26-J3660-29	36"D x 60"W x 29"H, (2) 26" T Bases	110	\$1,476
ET26-J3672-29	36"D x 72"W x 29"H, (2) 26" T Bases	127	\$1,541



Beanie

ET26-C3060B-NR-29	29.25"D x 58.375"W x 29"H, RADIUS CORNERS, (2) 22" T Bases	57	\$1,286
-------------------	--	----	---------

Flair

ET26-C3060FLR-29	3.252"D x 59.5"W x 29"H, RADIUS CORNERS, (2) 22" T Bases	57	\$1,286
------------------	--	----	---------



Beanie



Flair

Additional Height Tables

Replace Height(-29) with	Description	List Price
-36	use for 36" high tables	\$159
-42	use for 42" high tables	\$159

Rectangular Flip Top Option

Add Suffix to Model Number	Description	Weight	List Price
-FT SGL	Flip top mechanism for Table Lengths 36" - 60"		\$544
-FT DBL	Flip top mechanism for Table Lengths 72" and up		\$613

Note: Flip Top tables come standard with casters.

Folding Base Option

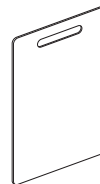
Add Suffix to Model Number	Description	Weight	List Price
-F	Provides positive lock in up and down position		\$402

Twin Wheel Locking Casters

Add Suffix to Model Number	Description	Wgt.	List Price
-2C	Set of 2 Casters	1	\$50
-4C	Set of 4 Casters	2	\$96

Surfboard Markerboard and Accessories

Model Number	Description	Wgt	List Price
SFB-1824	Surfboard Marker Board, 18"W x 24"L		\$173
SFB-1824-8PACK	(8) Surfboard Markerboards		\$1,207
SFB-1824-5PACK	(5) Surfboard Markerboards		\$770
SFB-SMB	Table Side Mounting Bracket for Surfboard - available in full range of powder coat colors.		\$64
SFB-TMB	Table Top Mounting Bracket for Surfboard - available in black		\$64
HTSBB	Surfboard hanging bracket for elements track.		\$61



Required to order: Model # including options if applicable

- HPL selection
- PVC Selection (if applicable)
- wood edge finish (if applicable)
- powder coat selection

Required to order: Model # including options if applicable, laminate selection and powder coat color.

If applicable: PVC color, wood selection and wood finish color.

ECLIPSE X-BASE

Tables

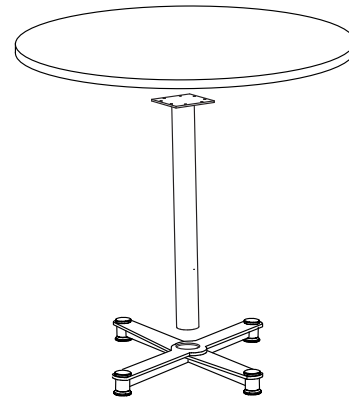
General Specifications

Top: Top is 1-1/4" thick, three ply engineered panel construction with a .050" high pressure laminate worksurface, 1-1/8" industrial particle board core, and a phenolic backer/balance sheet.

Base: Table base consists of single-column or four-column X-base. The base assembly includes 2" diameter 14 gauge steel tubing on vertical, which is welded to a 8"W x 8"L x 1/4" thick steel plate. Vertical column is also welded (concealed weldment) to two 1/4" thick laser cut horizontal main bars stacked at right angles to one another forming an X. Main bars taper in at a slight angle from the rounded shape that mimics the vertical post to each of the four ends. The out of the mainbars receives a 1/4" thick round cap that is through mounted via mainbar. Under the main bars is a welded 3/4" diameter steel post equipped with a leveling glide. A 1/4" thick plate is TIG welded to the 3/4" diameter steel posts and the X mainbars for structural integrity.

Flip Top Mechanism: Two-part steel mechanism is joined via a pivot system. Upper component attaches to underside of work surface using 1" #12 wood screws. Lower component bolts to leg frame via a threaded insert.

Finish: See **mediatechnologies®** Finish and Color Guide for choices.



Round Tables			
Model Number	Description	Wt.	List Price
3mm PVC Edge			
EX28-C0042-29	42" Diameter x 29"H, 28" X Base	75	\$1,033 ✓
E4X36-C0048-29	48" Diameter x 29"H, 36" 4X Base	97	\$1,480
E4X36-C0060-29	60" Diameter x 29"H, 36" 4X Base	135	\$1,646
8mm Wood Edge			
EX28-F0042-29	42" Diameter x 29"H, 28" X Base	75	\$1,280 ✓
E4X36-F0048-29	48" Diameter x 29"H, 36" 4X Base	97	\$1,726
E4X36-F0060-29	60" Diameter x 29"H, 36" 4X Base	135	\$1,955
5/8" Wood Bevel Edge			
EX28-J0042-29	42" Diameter x 29"H, 28" X Base	75	\$1,347 ✓
E4X36-J0048-29	48" Diameter x 29"H, 36" 4X Base	97	\$1,755
E4X36-J0060-29	60" Diameter x 29"H, 36" 4X Base	135	\$2,024

Flip Top Option (✓ indicates availability)

Add Suffix to Model Number	Description	Wt.	List Price
-FT	Flip top mechanism	6	\$187

Twin Wheel Locking Casters

Add Suffix to Model Number	Description	Wt.	List Price
-4C	Set of 4 Casters	2	\$71



Square Tables			
Model Number	Description	Wt.	List Price
3mm PVC Edges			
EX28-C4242-29	42" x 42" x 29"H, 28" X Base	70	\$1,005 ✓
E4X36-C4848-29	48" x 48" x 29"H, 36" 4X Base	92	\$1,453
E4X36-C6060-29	60" x 60" x 29"H, 36" 4X Base	130	\$1,620
3mm Wood Edges			
EX28-E4242-29	42" x 42" x 29"H, 28" X Base	70	\$1,124 ✓
E4X36-E4848-29	48" x 48" x 29"H, 36" 4X Base	92	\$1,574
E4X36-E6060-29	60" x 60" x 29"H, 36" 4X Base	130	\$1,797
8mm Wood Edges			
EX28-F4242-29	42" x 42" x 29"H, 28" X Base	70	\$1,124 ✓
E4X36-F4848-29	48" x 48" x 29"H, 36" 4X Base	92	\$1,574
E4X36-F6060-29	60" x 60" x 29"H, 36" 4X Base	130	\$1,797
5/8" Wood Bevel edges			
EX28-J4242-29	42" x 42" x 29"H, 28" X Base	70	\$1,225 ✓
E4X36-J4848-29	48" x 48" x 29"H, 36" 4X Base	92	\$1,678
E4X36-J6060-29	60" x 60" x 29"H, 36" 4X Base	130	\$1,899

Rectangular Flip Top Option (✓ indicates availability)

Add Suffix to Model Number	Description	Weight	List Price
-FT	Flip top mechanism	6	\$187

Twin Wheel Locking Casters

Add Suffix to Model Number	Description	Wgt.	List Price
-4C	Set of 4 Casters	2	\$71



Required to order: Model # including options if applicable

- HPL selection
- PVC Selection (if applicable)
- wood edge finish (if applicable)
- powder coat selection