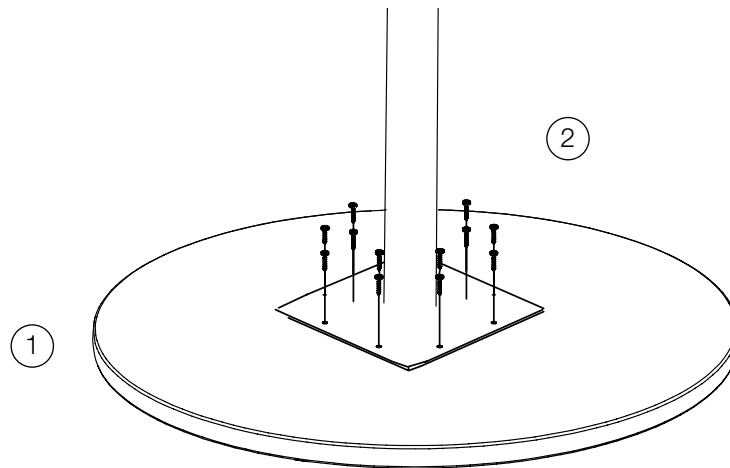


Orbit

Pedestal Base

Tables



Hardware Included:



#12 x 1
Pan Head Screw

Tools Required:

- #3 Phillips Head Screwdriver

Step 1:

Place the table top upside down on a clean, padded surface.

Step 2:

Center leg assembly on underside of top and attach using #12 x 1" PH Screws (do not over tighten).

* NOTE:

Multiple leg bases attach the same as single leg bases.

instructions-orbit-200114

