

### PRICE INCREASE NOTICE: All List Prices will increase by 5% effective April 24, 2022.

#### General Specifications

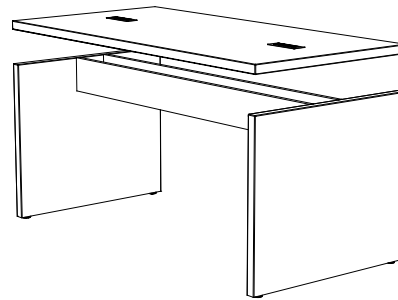
**Table Top:** Table tops are 2-3/8" thick particle board core with .050" high-pressure laminate top surface and .030" phenolic backer. Edges are available in either high-pressure laminate or 8mm hardwood.

**Stretchers:** The stretchers are fabricated from 1-3/16" particle board core with premium grade oak, maple or high-pressure laminate faces. Edge on veneer panels is 3mm wood, profiled square with a radius along the corners. HPL panels are self-edged. Stretchers are 11-3/4"H and are centered under the table top and spaced to allow an 8" space between them. Stretchers are fastened to end panels with L-brackets and to the table top with L-brackets

**Panel Legs:** Panel legs are 2-3/8" thick particle board core with a choice of .050" high-pressure laminate or hardwood veneer on both surfaces. Edges are available in either high-pressure laminate or 8mm hardwood. High-pressure laminate panel legs are fitted with aluminum corner guards. The bottom of each leg is fitted with two adjustable leveling glides.

**Power/Connectivity:** Power/connectivity units are offered as an option. The units will be mounted centered in and flush to the top surface and are liquid resistant. Units may be specified with 2 power & 1 active USB or 2 power & 2 data. Units are available in gloss black or white and are supplied with a 72" long cord.

**Finish:** See mediatechnologies® Finish and Color Guide for choices.



Rectangular Table				
Model Number	Description	Wgt.	List Price	
Veneer Panels with 8mm Wood Edges				
DT-F3660-29	36" x 60" x 29"H	237	\$5,126	
DT-F3660-36	36" x 60" x 36"H	259	\$5,126	
DT-F3660-42	36" x 60" x 42"H	280	\$5,126	
DT-F3672-29	36" x 72" x 29"H	263	\$5,184	
DT-F3672-36	36" x 72" x 36"H	284	\$5,184	
DT-F3672-42	36" x 72" x 42"H	306	\$5,184	
DT-F3684-29	36" x 84" x 29"H	289	\$5,725	
DT-F3684-36	36" x 84" x 36"H	311	\$5,725	
DT-F3684-42	36" x 84" x 42"H	333	\$5,725	
DT-F3696-29	36" x 96" x 29"H	315	\$5,725	
DT-F3696-36	36" x 96" x 36"H	337	\$5,725	
DT-F3696-42	36" x 96" x 42"H	358	\$5,725	
DT-F4260-29	42" x 60" x 29"H	280	\$6,366	
DT-F4260-36	42" x 60" x 36"H	309	\$6,366	
DT-F4260-42	42" x 60" x 42"H	331	\$6,366	
DT-F4272-29	42" x 72" x 29"H	306	\$6,669	
DT-F4272-36	42" x 72" x 36"H	335	\$6,669	
DT-F4272-42	42" x 72" x 42"H	356	\$6,669	
DT-F4284-29	42" x 84" x 29"H	340	\$7,254	
DT-F4284-36	42" x 84" x 36"H	368	\$7,254	
DT-F4284-42	42" x 84" x 42"H	390	\$7,254	
DT-F4296-29	42" x 96" x 29"H	365	\$7,072	
DT-F4296-36	42" x 96" x 36"H	394	\$7,072	
DT-F4296-42	42" x 96" x 42"H	416	\$7,072	
DT-F4860-29	48" x 60" x 29"H	330	\$6,366	
DT-F4860-36	48" x 60" x 36"H	359	\$6,366	
DT-F4860-42	48" x 60" x 42"H	388	\$6,366	
DT-F4872-29	48" x 72" x 29"H	369	\$6,669	
DT-F4872-36	48" x 72" x 36"H	396	\$6,669	
DT-F4872-42	48" x 72" x 42"H	424	\$6,669	
DT-F4884-29	48" x 84" x 29"H	406	\$7,254	
DT-F4884-36	48" x 84" x 36"H	434	\$7,254	
DT-F4884-42	48" x 84" x 42"H	463	\$7,254	
DT-F4896-29	48" x 96" x 29"H	442	\$7,254	
DT-F4896-36	48" x 96" x 36"H	471	\$7,254	
DT-F4896-42	48" x 96" x 42"H	500	\$7,254	

**Required to order:** Model # including options if applicable.  
 • veneer selection and finish (if applicable)  
 • HPL selection (if applicable)

Rectangular Table				
Model Number	Description	Wgt.	List Price	
Laminate Panels with Self Edges and Corner Guards				
DT-A3660L-29	36" x 60" x 29"H	237	\$4,046	
DT-A3660L-36	36" x 60" x 36"H	259	\$4,046	
DT-A3660L-42	36" x 60" x 42"H	280	\$4,046	
DT-A3672L-29	36" x 72" x 29"H	263	\$4,152	
DT-A3672L-36	36" x 72" x 36"H	284	\$4,152	
DT-A3672L-42	36" x 72" x 42"H	306	\$4,152	
DT-A3684L-29	36" x 84" x 29"H	289	\$4,473	
DT-A3684L-36	36" x 84" x 36"H	311	\$4,473	
DT-A3684L-42	36" x 84" x 42"H	333	\$4,473	
DT-A3696L-29	36" x 96" x 29"H	315	\$4,473	
DT-A3696L-36	36" x 96" x 36"H	337	\$4,473	
DT-A3696L-42	36" x 96" x 42"H	358	\$4,473	
DT-A4260L-29	42" x 60" x 29"H	280	\$5,184	
DT-A4260L-36	42" x 60" x 36"H	309	\$5,184	
DT-A4260L-42	42" x 60" x 42"H	331	\$5,184	
DT-A4272L-29	42" x 72" x 29"H	306	\$5,427	
DT-A4272L-36	42" x 72" x 36"H	335	\$5,427	
DT-A4272L-42	42" x 72" x 42"H	356	\$5,427	
DT-A4284L-29	42" x 84" x 29"H	340	\$5,828	
DT-A4284L-36	42" x 84" x 36"H	368	\$5,828	
DT-A4284L-42	42" x 84" x 42"H	390	\$5,828	
DT-A4296L-29	42" x 96" x 29"H	365	\$5,828	
DT-A4296L-36	42" x 96" x 36"H	394	\$5,828	
DT-A4296L-42	42" x 96" x 42"H	416	\$5,828	
DT-A4860L-29	48" x 60" x 29"H	330	\$5,184	
DT-A4860L-36	48" x 60" x 36"H	359	\$5,184	
DT-A4860L-42	48" x 60" x 42"H	388	\$5,184	
DT-A4872L-29	48" x 72" x 29"H	369	\$5,427	
DT-A4872L-36	48" x 72" x 36"H	396	\$5,427	
DT-A4872L-42	48" x 72" x 42"H	424	\$5,427	
DT-A4884L-29	48" x 84" x 29"H	406	\$5,828	
DT-A4884L-36	48" x 84" x 36"H	434	\$5,828	
DT-A4884L-42	48" x 84" x 42"H	463	\$5,828	
DT-A4896L-29	48" x 96" x 29"H	442	\$5,828	
DT-A4896L-36	48" x 96" x 36"H	471	\$5,828	
DT-A4896L-42	48" x 96" x 42"H	500	\$5,828	

**Note:** veneer prices shown are for oak veneer. Use of maple or other species may incur an upcharge.

### PRICE INCREASE NOTICE: All List Prices will increase by 5% effective April 24, 2022.

### General Specifications

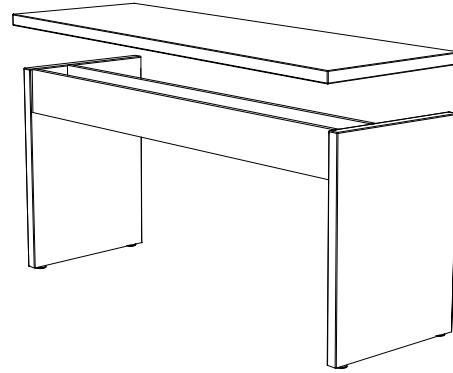
**Table Top:** Table tops are 2-3/8" thick particle board core with .050" high-pressure laminate top surface and .030" phenolic backer. Edges are available in either high-pressure laminate or 8mm hardwood.

**Stretchers:** The stretchers are fabricated from 1-3/16" particle board core with premium grade oak, maple or high-pressure laminate faces. Edge on veneer panels is 3mm wood, profiled square with a radius along the corners. HPL panels are self-edged. Stretchers are 11-3/4"H and spaced to allow an 8" space between them. Stretchers are fastened to end panels with L-brackets and to the table top with L-brackets

**Panel Legs:** Panel legs are 2-3/8" thick particle board core with a choice of .050" high-pressure laminate or hardwood veneer on both surfaces. Edges are available in either high-pressure laminate or 8mm hardwood. High-pressure laminate panel legs are fitted with aluminum corner guards. The bottom of each leg is fitted with two adjustable leveling glides.

**Power/Connectivity:** Power/connectivity units are offered as an option. The units will be mounted centered in and flush to the top surface and are liquid resistant. Units may be specified with 2 power & 1 active USB or 2 power & 2 data. Units are available in gloss black or white and are supplied with a 72" long cord.

**Finish:** See **mediatechnologies®** Finish and Color Guide for choices.



Single Face Rectangular Table			
Model Number	Description	Wgt.	List Price
Veneer Panels with 8mm Wood Edges			
DT-F2460-29-SF	24" x 60" x 29"H	165	\$3,555
DT-F2460-36-SF	24" x 60" x 36"H	180	\$3,900
DT-F2460-42-SF	24" x 60" x 42"H	194	\$3,900
Laminate Panels with Self Edges and Corner Guards			
DT-F2472-29-SF	24" x 72" x 29"H	185	\$3,777
DT-F2472-36-SF	24" x 72" x 36"H	198	\$4,029
DT-F2472-42-SF	24" x 72" x 42"H	212	\$4,029
DT-F2484-29-SF	24" x 84" x 29"H	203	\$4,472
DT-F2484-36-SF	24" x 84" x 36"H	217	\$4,756
DT-F2484-42-SF	24" x 84" x 42"H	232	\$4,756
DT-F2496-29-SF	24" x 96" x 29"H	221	\$4,706
DT-F2496-36-SF	24" x 96" x 36"H	236	\$4,990
DT-F2496-42-SF	24" x 96" x 42"H	250	\$4,990

Single Face Rectangular Table			
Model Number	Description	Wgt.	List Price
Laminate Panels with Self Edges and Corner Guards			
DT-A2460L-29-SF	24" x 60" x 29"H	165	\$3,199
DT-A2460L-36-SF	24" x 60" x 36"H	180	\$3,510
DT-A2460L-42-SF	24" x 60" x 42"H	194	\$3,510
DT-A2472L-29-SF	24" x 72" x 29"H	185	\$3,399
DT-A2472L-36-SF	24" x 72" x 36"H	198	\$3,626
DT-A2472L-42-SF	24" x 72" x 42"H	212	\$3,626
DT-A2484L-29-SF	24" x 84" x 29"H	203	\$4,025
DT-A2484L-36-SF	24" x 84" x 36"H	217	\$4,280
DT-A2484L-42-SF	24" x 84" x 42"H	232	\$4,280
DT-A2496L-29-SF	24" x 96" x 29"H	221	\$4,235
DT-A2496L-36-SF	24" x 96" x 36"H	236	\$4,491
DT-A2496L-42-SF	24" x 96" x 42"H	250	\$4,491

**Note:** veneer prices shown are for oak veneer. Use of maple or other species may incur an upcharge.

**Required to order:** Model # including options if applicable.  
 • veneer selection and finish (if applicable)  
 • HPL selection (if applicable)