

General Specifications

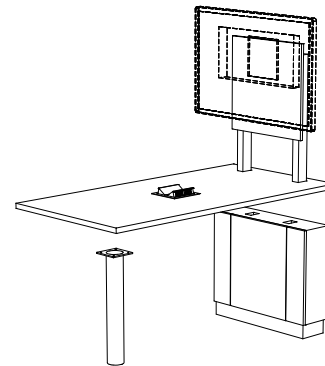
Table Top: Table tops are 1-1/4" thick, three-ply 45# particleboard construction with .050" high-pressure laminate top surface and a .030" phenolic backer. Corners for rectilinear tops: Square corners on banded tops have a 1/8" radius. Rounded corners on all tops have a 2" radius. Table tops have a 3" high side and front apron and are reinforced with a steel keel.

Base Wire Box Cabinet: Panels are 11/16" thick with high-pressure laminate surfaces and 3mm PVC edges or veneer surfaces with 3mm wood edges. Left opening wire box door is 16" wide. Toe kick is 3"H. (2) 2" x 3" x 36.5"H 14-gauge powder coated steel posts extend vertically up through the table top. A port is provided in one of the verticle supports to conceal and pass monitor cabing into the cabinet.

Monitor Panel: The 3/4" thick 23-3/4" x 23-3/4" black melamine panel is mounted to the vertical steel posts. *The user will fix their monitor mount to this panel.*

Column Leg: 3" diameter steel tube column leg is attached to the table top with a steel mounting plate. Bottom of the column leg is fitted with an adjustable glide. Tables that are 48" deep or greater will receive a disc-base column leg. Tables that exceed 72" in length will receive a disc-base column leg.

Finish: Standard powder coat on all metal parts is black; other colors may be specified. See **mediatechnologies®** Finish and Color Guide for choices.



Rectangle

Wood Cabinet with 8mm Wood Edges			
Model #	Description	Wgt	List Price 29" H
CY-F3060-29	30" x 60" x 29"H	194	\$3,795
CY-F3072-29	30" x 72" x 29"H	208	\$3,884
CY-F3660-29	36" x 60" x 29"H	222	\$3,935
CY-F3672-29	36" x 72" x 29"H	241	\$4,045
CY-F4260-29	42" x 60" x 29"H	253	\$4,244
CY-F4272-29	42" x 72" x 29"H	272	\$4,375
CY-F4860-29	48" x 60" x 29"H	272	\$4,358
CY-F4872-29	48" x 72" x 29"H	303	\$4,472
36"H			
CY-F3060-36	30" x 60" x 36"H	214	\$3,989
CY-F3072-36	30" x 72" x 36"H	228	\$4,078
CY-F3660-36	36" x 60" x 36"H	245	\$4,132
CY-F3672-36	36" x 72" x 36"H	263	\$4,237
CY-F4260-36	42" x 60" x 36"H	276	\$4,439
CY-F4272-36	42" x 72" x 36"H	295	\$4,568
CY-F4860-36	48" x 60" x 36"H	306	\$4,555
CY-F4872-36	48" x 72" x 36"H	326	\$4,667
42"H			
CY-F3060-42	30" x 60" x 42"H	230	\$4,084
CY-F3072-42	30" x 72" x 42"H	244	\$4,172
CY-F3660-42	36" x 60" x 42"H	265	\$4,225
CY-F3672-42	36" x 72" x 42"H	283	\$4,332
CY-F4260-42	42" x 60" x 42"H	299	\$4,533
CY-F4272-42	42" x 72" x 42"H	318	\$4,662
CY-F4860-42	48" x 60" x 42"H	325	\$4,647
CY-F4872-42	48" x 72" x 42"H	345	\$4,760

Rectangle

High Pressure Laminate Cabinet with 3mm PVC Edges			
Model #	Description	Wgt	List Price 29" H
CY-C3060L-29	30" x 60" x 29"H	194	\$3,695
CY-C3072L-29	30" x 72" x 29"H	208	\$3,784
CY-C3660L-29	36" x 60" x 29"H	222	\$3,837
CY-C3672L-29	36" x 72" x 29"H	241	\$3,944
CY-C4260L-29	42" x 60" x 29"H	253	\$4,145
CY-C4272L-29	42" x 72" x 29"H	272	\$4,273
CY-C4860L-29	48" x 60" x 29"H	272	\$4,260
CY-C4872L-29	48" x 72" x 29"H	303	\$4,373
36"H			
CY-C3060L-36	30" x 60" x 36"H	214	\$3,888
CY-C3072L-36	30" x 72" x 36"H	228	\$3,976
CY-C3660L-36	36" x 60" x 36"H	245	\$4,031
CY-C3672L-36	36" x 72" x 36"H	263	\$4,138
CY-C4260L-36	42" x 60" x 36"H	276	\$4,339
CY-C4272L-36	42" x 72" x 36"H	295	\$4,469
CY-C4860L-36	48" x 60" x 36"H	306	\$4,452
CY-C4872L-36	48" x 72" x 36"H	326	\$4,565
42"H			
CY-C3060L-42	30" x 60" x 42"H	230	\$3,983
CY-C3072L-42	30" x 72" x 42"H	244	\$4,072
CY-C3660L-42	36" x 60" x 42"H	265	\$4,125
CY-C3672L-42	36" x 72" x 42"H	283	\$4,231
CY-C4260L-42	42" x 60" x 42"H	299	\$4,432
CY-C4272L-42	42" x 72" x 42"H	318	\$4,562
CY-C4860L-42	48" x 60" x 42"H	325	\$4,546
CY-C4872L-42	48" x 72" x 42"H	345	\$4,659

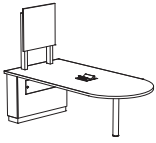
Rectangle

Melamine Cabinet with 3mm PVC Edges			
Model #	Description	Wgt	List Price 29" H
CY-C3060T-29	30" x 60" x 29"H	194	\$3,424
CY-C3072T-29	30" x 72" x 29"H	208	\$3,507
CY-C3660T-29	36" x 60" x 29"H	222	\$3,556
CY-C3672T-29	36" x 72" x 29"H	241	\$3,654
CY-C4260T-29	42" x 60" x 29"H	253	\$3,842
CY-C4272T-29	42" x 72" x 29"H	272	\$3,960
CY-C4860T-29	48" x 60" x 29"H	272	\$3,946
CY-C4872T-29	48" x 72" x 29"H	303	\$4,052
36"H			
CY-C3060T-36	30" x 60" x 36"H	214	\$3,605
CY-C3072T-36	30" x 72" x 36"H	228	\$3,685
CY-C3660T-36	36" x 60" x 36"H	245	\$3,734
CY-C3672T-36	36" x 72" x 36"H	263	\$3,837
CY-C4260T-36	42" x 60" x 36"H	276	\$4,020
CY-C4272T-36	42" x 72" x 36"H	295	\$4,139
CY-C4860T-36	48" x 60" x 36"H	306	\$4,126
CY-C4872T-36	48" x 72" x 36"H	326	\$4,230
42"H			
CY-C3060T-42	30" x 60" x 42"H	230	\$3,691
CY-C3072T-42	30" x 72" x 42"H	244	\$3,773
CY-C3660T-42	36" x 60" x 42"H	265	\$3,822
CY-C3672T-42	36" x 72" x 42"H	283	\$3,919
CY-C4260T-42	42" x 60" x 42"H	299	\$4,108
CY-C4272T-42	42" x 72" x 42"H	318	\$4,227
CY-C4860T-42	48" x 60" x 42"H	325	\$4,214
CY-C4872T-42	48" x 72" x 42"H	345	\$4,316

Required to order: Model # including options if applicable

- HPL and/or TFL selection
- PVC selection
- Veneer selection and finish (if applicable)
- powder coat color.

Note: Veneer prices are for oak veneer. Use of maple or other species may incur an upcharge.



“D” shape

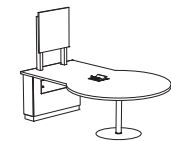
D-shape Top, High Pressure Laminate Cabinet with 3mm PVC Edges				
Model #	Description	Wgt	List Price	
				29" H
CY-C3660LD-29	36" x 60" x 29"H	222	\$4,224	
CY-C3672LD-29	36" x 72" x 29"H	241	\$4,331	
CY-C4260LD-29	42" x 60" x 29"H	253	\$4,532	
CY-C4272LD-29	42" x 72" x 29"H	272	\$4,660	
CY-C4860LD-29	48" x 60" x 29"H	272	\$4,646	
CY-C4872LD-29	48" x 72" x 29"H	303	\$4,758	
				36"H
CY-C3660LD-36	36" x 60" x 36"H	245	\$4,417	
CY-C3672LD-36	36" x 72" x 36"H	263	\$4,525	
CY-C4260LD-36	42" x 60" x 36"H	276	\$4,725	
CY-C4272LD-36	42" x 72" x 36"H	295	\$4,855	
CY-C4860LD-36	48" x 60" x 36"H	306	\$4,839	
CY-C4872LD-36	48" x 72" x 36"H	326	\$4,952	
				42"H
CY-C3660LD-42	36" x 60" x 42"H	265	\$4,511	
CY-C3672LD-42	36" x 72" x 42"H	283	\$4,619	
CY-C4260LD-42	42" x 60" x 42"H	299	\$4,817	
CY-C4272LD-42	42" x 72" x 42"H	318	\$4,948	
CY-C4860LD-42	48" x 60" x 42"H	325	\$4,934	
CY-C4872LD-42	48" x 72" x 42"H	345	\$5,046	

“D” shape

D-shape Top, Melamine Cabinet with 3mm PVC Edges				
Model #	Description	Wgt	List Price	
				29" H
CY-C3660TD-29	36" x 60" x 29"H	222	\$3,913	
CY-C3672TD-29	36" x 72" x 29"H	241	\$4,012	
CY-C4260TD-29	42" x 60" x 29"H	253	\$4,198	
CY-C4272TD-29	42" x 72" x 29"H	272	\$4,318	
CY-C4860TD-29	48" x 60" x 29"H	272	\$4,306	
CY-C4872TD-29	48" x 72" x 29"H	303	\$4,409	
				36"H
CY-C3660TD-36	36" x 60" x 36"H	245	\$4,093	
CY-C3672TD-36	36" x 72" x 36"H	263	\$4,194	
CY-C4260TD-36	42" x 60" x 36"H	276	\$4,377	
CY-C4272TD-36	42" x 72" x 36"H	295	\$4,498	
CY-C4860TD-36	48" x 60" x 36"H	306	\$4,485	
CY-C4872TD-36	48" x 72" x 36"H	326	\$4,588	
				42"H
CY-C3660TD-42	36" x 60" x 42"H	265	\$4,179	
CY-C3672TD-42	36" x 72" x 42"H	283	\$4,278	
CY-C4260TD-42	42" x 60" x 42"H	299	\$4,464	
CY-C4272TD-42	42" x 72" x 42"H	318	\$4,585	
CY-C4860TD-42	48" x 60" x 42"H	325	\$4,572	
CY-C4872TD-42	48" x 72" x 42"H	345	\$4,676	

“Lightbulb” shape

Lightbulb Top, High Pressure Laminate Cabinet with 3mm PVC Edges				
Model #	Description	Wgt	List Price	
CY-C36/4872LB-29	36"W stem, 48"Dia., 72"L	318	\$4,660	
CY-C36/4884LB-29	36"W stem, 48"Dia., 84"L	345	\$4,796	
CY-C36/4896LB-29	36"W stem, 48"Dia., 96"L	345	\$4,930	



Shown with disc base leg



“Lightbulb” shape

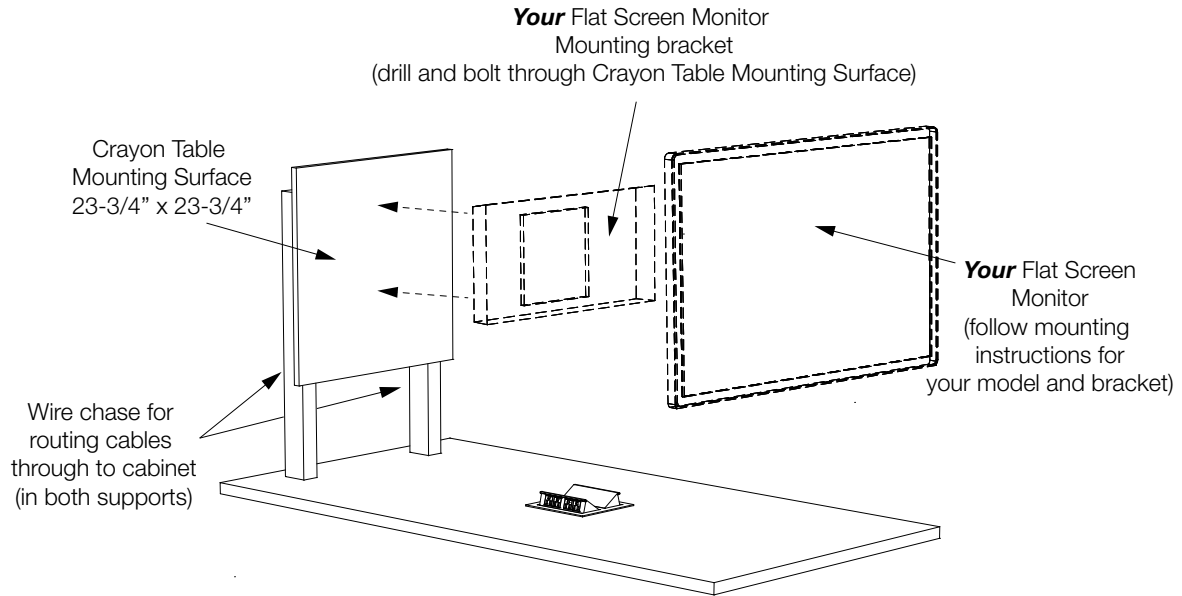
Lightbulb Top, Melamine Cabinet with 3mm PVC Edges				
Model #	Description	Wgt	List Price	
CY-C36/4872TB-29	36"W stem, 48"Dia., 72"L	318	\$4,103	
CY-C36/4884TB-29	36"W stem, 48"Dia., 84"L	345	\$4,223	
CY-C36/4896TB-29	36"W stem, 48"Dia., 96"L	345	\$4,339	

Required to order: Model # including options if applicable

- HPL and selection
- PVC selection
- Veneer selection and finish (if applicable)
- powder coat color.

Note: Veneer prices are for oak veneer. Use of maple or other species may incur an upcharge.

Mounting a Flat Screen Monitor to the Crayon Table



Monitor and mount are not included

How large can my monitor be?

Generally speaking, as long as you can safely bolt your monitor's mounting bracket to the Crayon Table Mounting Surface, you should be able to use nearly any size monitor.