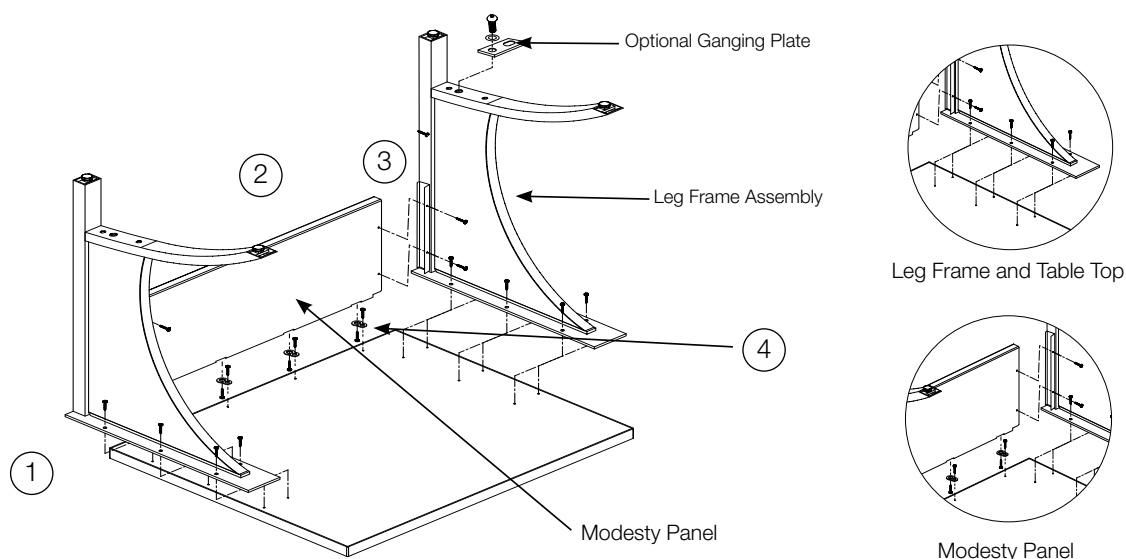
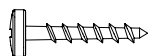


Cirrus

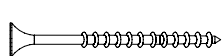
Tables



Hardware Included:



#12 x 1"
Pan Head Screws



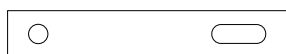
#8 x 1-1/2"
Flat Head Screws



Figure 8 Fastener



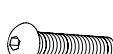
#8 x 5/8" Screws



1" x 6" x 1/8"
Steel Ganging Plate (optional)



7/8" Washer
(optional)



Hex Drive Bolt
1/4-20 x 3/4" (optional)

Tools Required:

- #2 Phillips Head Screwdriver or #2 Square Drive
- #3 Phillips Head Screwdriver

Step 1: To attach the leg frame assemblies to the table top, place the top upside down on a clean padded surface. Place the steel leg frame assemblies on to the table top above the machined locations. The U-channel that is fixed to the front post of each leg faces to the inside (one is right-facing and one is left-facing). Attach legs to the top using (6) #12 x 1" PH screws per leg. Leave the leg loose. **DO NOT TIGHTEN.**

Note: Your leg frame assemblies may be provided with wire management holes required for your layout. Please note these leg frame assembly positions and attach them to the table top according to your layout.

Step 2: To insert modesty panel into leg frames, place the large end of a figure-8 fastener into each pocket location along the top of the modesty panel (counter sunk side up and small loop of the fastener facing in). Attach each figure-8 fastener using a #8 x 1-1/2" FH screw. Screws must be fully inserted. Insert modesty panel upside down (finished side out, figure-8 fasteners first and facing in) into the U-channels on the front post of each leg. Do not attach at this point.

Step 3: Adjust leg frames so the U-channels hold the modesty panel securely. Align the machined holes on the inside face of each U-channel with the holes on each end of the modesty panel. Attach the modesty panel to the leg frames with #8 x 5/8" PH screws.

Step 4: To secure legs and modesty panel to table top, tighten assembly. Tighten screws connecting the leg frames to the top. Locate the small loop end of each figure-8 fastener. Attach the modesty panel to the table top using #8 x 5/8" PH screws. Tighten securely. Verify all screws are tightened. Flip table over.

For optional ganging plate: Attach the leg frame assembly to the table top. With table standing on its feet, attach the 1" x 6" steel ganging plate to the bottom of a leg end frame by threading a 1/4-20 x 3/4" HD bolt and 7/8" flat washer through the ganging plate and in to the weld nut located in the bottom of the leg frame, behind the front leg post. Securely tighten the bolt. Move second table into place and align the second table's weld nut with the open hole in the ganging plate. Thread a bolt and washer through the ganging plate into weld nut of the second leg frame and tighten securely.

instructions-cirrus-191126

