

General Specifications

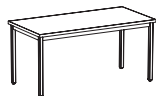
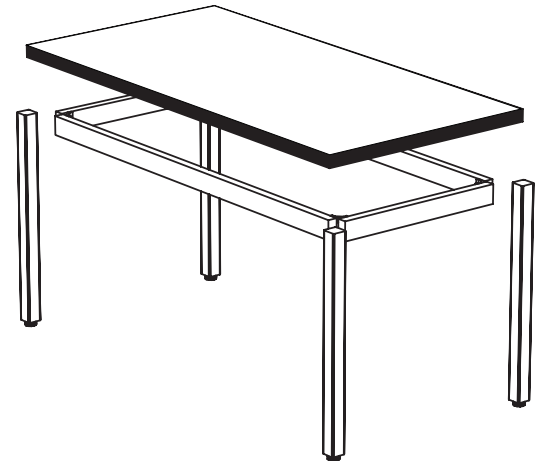
Table Top: Table tops are 1-1/8" thick particle board core with .050" high-pressure laminate top surface and .030" phenolic backer. Edges are available in 3MM PVC (C). Corners on rectangular and square tops are square with a 1/8" radius.

Rectilinear tops are also available as 1" thick epoxy resin top.

Base Assembly: The base consists of a 1" x 2" one piece, welded, tubular steel frame and four 1-1/2" square tubular steel legs. Legs are assembled to the frame by inserting a cross dowel into the top of each leg and bolting the legs to each corner of the frame assembly. The frame is then fastened to the table top brackets and screws. The bottom of each leg is fitted with an adjustable leveling glide or optionally with a 50MM black, twin wheel, locking caster.

Wire Management: Tables may be specified to include one or more 80MM grommets, provided for egress to the underside of the table.

Finishes: View mediatechnologies® Finish and Color Guide for choices.



Rectangular Tables				
Model Number	Description	Wgt.	List Price	
1-1/4" Thick Chemical Resistant HPL Top				
SST-2448-CL-29	24"D x 48"W - Chemgard	64	\$656	
SST-2460-CL-29	24"D x 60"W - Chemgard	76	\$717	
SST-2472-CL-29	24"D x 72"W - Chemgard	88	\$784	
SST-2484-CL-29	24"D x 84"W - Chemgard	100	\$1,035	
SST-2496-CL-29	24"D x 96"W - Chemgard	111	\$1,090	
SST-3048-CL-29	30"D x 48"W - Chemgard	75	\$739	
SST-3060-CL-29	30"D x 60"W - Chemgard	89	\$800	
SST-3072-CL-29	30"D x 72"W - Chemgard	103	\$879	
SST-3084-CL-29	30"D x 84"W - Chemgard	118	\$1,117	
SST-3096-CL-29	30"D x 96"W - Chemgard	131	\$1,172	
SST-3660-CL-29	36"D x 60"W - Chemgard	102	\$908	
SST-3672-CL-29	36"D x 72"W - Chemgard	119	\$994	
SST-3684-CL-29	36"D x 84"W - Chemgard	135	\$1,181	
SST-3696-CL-29	36"D x 96"W - Chemgard	151	\$1,203	
1" Solid Epoxy Resin Top, Black				
SST-2448-E-29	24"D x 48"W - Epoxy	112	\$1,408	
SST-2454-E-29	24"D x 54"W - Epoxy	130	\$1,525	
SST-2460-E-29	24"D x 60"W - Epoxy	140	\$1,642	
SST-2472-E-29	24"D x 72"W - Epoxy	160	\$1,906	
SST-3048-E-29	30"D x 48"W - Epoxy	139	\$1,689	
SST-3054-E-29	30"D x 54"W - Epoxy	157	\$1,805	
SST-3060-E-29	30"D x 60"W - Epoxy	164	\$1,955	
SST-3072-E-29	30"D x 72"W - Epoxy	193	\$2,275	



Twin Wheel Locking Casters			
Add Suffix to Model Number	Description	Wgt.	List Price
-2C	Set of 2 Casters	1	\$32
-4C	Set of 4 Casters	2	\$63

Adjustable Height Legs			
Add Suffix to Model Number	Description	Wgt.	List Price
-ADJ	Legs adjustable 24" tp 36"		\$79

Required to order: Model # including options if applicable, laminate selection and powder coat color.
If applicable: PVC color, wood selection and wood finish color.