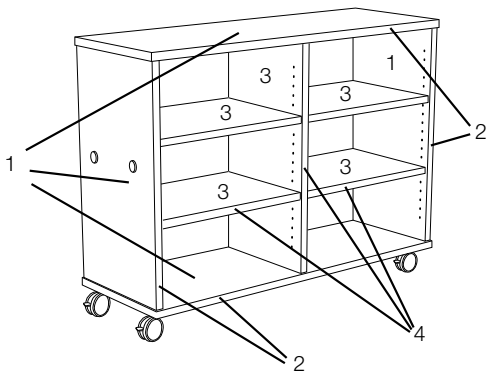
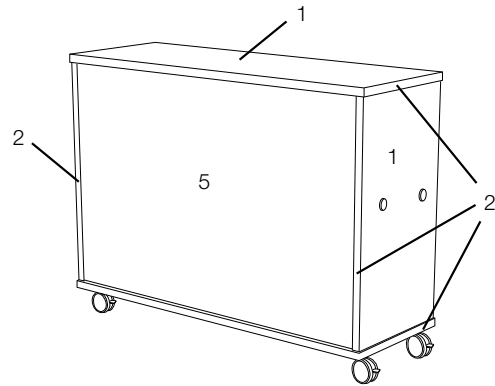


DRIFT FINISH DESIGNATOR

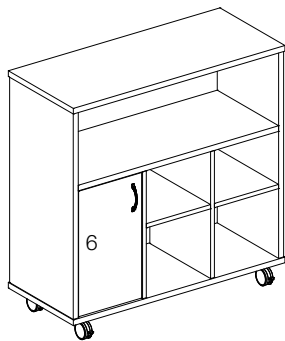
Typical Surface Designations



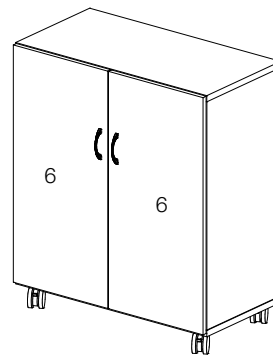
DFT-42-4218S-OCB-MOB



DFT-42-4218S-OCB-MOB (rear)



DFT-42-4218S-OSCS-MOB



DFT-36-4218S-CS-MOB

Job:

Model Number:

Finish Schedule:

- 1 Cabinet TFL/HPL, as applicable: _____
- 2 Cabinet PVC Edges: _____
- 3 Shelves & Vertical Panels TFL/HPL, as applicable: _____
- 4 Shelves & Vertical Panels PVC Edge: _____
- 5 Back Panel TFL/HPL or Powder Coat*, as applicable: _____
*Steel backs are available for select Drift Mobile Storage Models.
- 6 Door TFL/HPL, if applicable: _____



drift-straight-finishdesignator-210221

892 Industrial Park Drive
 Shelby, MI 49455
 P: 231.861.2194
 F: 231.861.6678
 www.mediatechnologies.com
 sales@mediatechnologies.com

