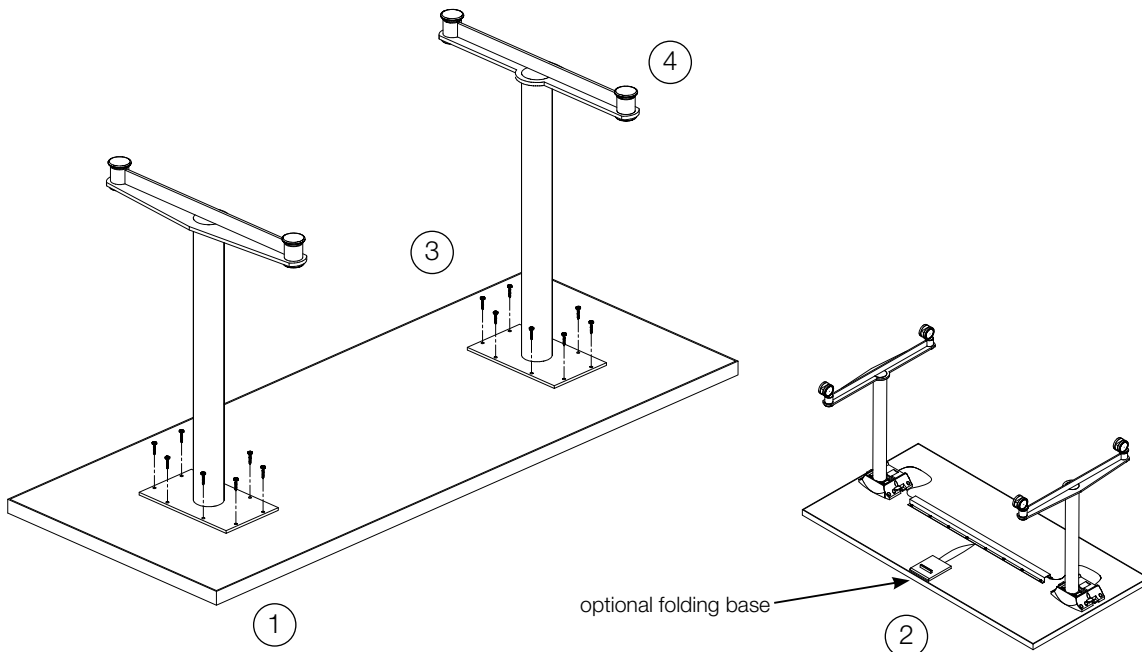


Eclipse

T-Base, X-Base, Folding Base

Tables



Hardware Included:



#12 x 1"
Pan Head Screws



#6 x 1/2"
Pan Head Screws*
*For folding base only



1/4-20 x 1"
Bolts*
*For folding base only

Tools Required:

- #3 Phillips Head Screwdriver
 - 5/32" Allen Wrench*
- *For folding base only

Step 1:

Place the table top upside down on a clean, padded surface. If not using the folding base mechanism, skip to step 3.

Step 2:

Use the #12 x 1" screw(s) to attach folding mechanism to bottom of table. Use bolts to attach mechanism to leg.

Step 3:

Center leg assembly on each end of underside of top and attach using #12 x 1" PH screws (**DO NOT OVER TIGHTEN**).

Step 4:

Install Glides or Casters.

KEEL REQUIRED FOR TABLES 60"+.

NOTE: ATTACHING TABLE SUPPORTING KEEL- CENTER KEEL ALONG MIDLINE AND EQUAL DISTANCE FROM EACH END. ATTACH USING #12 X 1" SCREWS.

instructions-eclipse-191205

