

CLASSROOM MEDIA CARRELS

Privacy

General Specifications

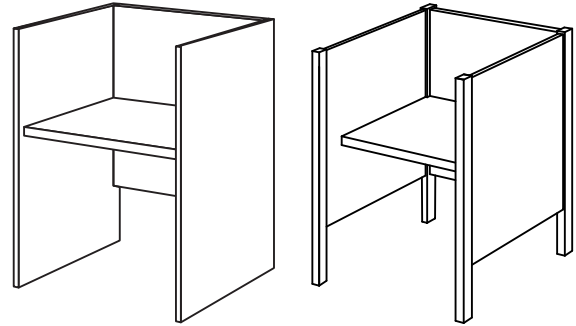
Worksurface:

Worksurfaces are 1-1/4" thick, three ply engineered wood construction with .050" high pressure laminate top and a phenolic backer sheet. The front edge is banded with 3mm PVC. Tops are attached to the side and back panels with (3) steel "Z" brackets. Worksurface includes a wire management grommet.

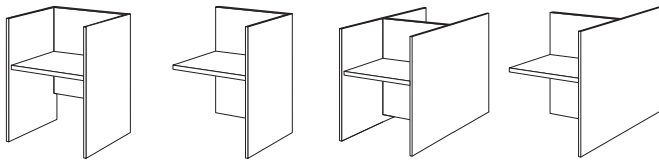
End and Intermediate Panels:

End and intermediate panels are 1" thick thermally fused laminate. All exposed edges are banded with 3 mm PVC. Double faced study carrels share a common back panel. Panels may also be specified at 32"H. Panels have embedded threaded metal inserts to accept machine threaded connecting hardware for metal-to-metal fastener contact. Each panel is equipped with an adjustable glide(s). Post and panel models include 14-gauge powder coated steel tubing with adjustable glides.

The standard worksurface height is 29". Adjustable height may be specified. Carrels are designed modularly and may be disassembled and reconfigured. Adder units are similar to initial units but substitute one intermediate panel for two end panels.

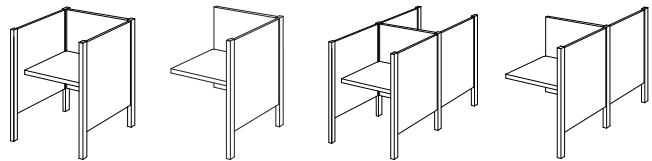


PANEL END



Single-Face Starter Single-Face Adder Dual-Face Starter Dual-Face Adder

POST & PANEL END



Single-Face Starter Single-Face Adder Dual-Face Starter Dual-Face Adder

Panel End Classroom Media Stations				
Model Number	Description	Wt.	List Price	
Single-Face 24"D Carrels				
T31-2436SSC	23-3/4"D x 36-1/2"W x 48"H, Starter	190	\$1,049	
T31-2436SSCA	23-3/4"D x 35-1/2"W x 48"H, Adder	141	\$854	
T31-2448SSC	23-3/4"D x 48-1/2"W x 48"H, Starter	223	\$1,112	
T31-2448SSCA	23-3/4"D x 47-1/2"W x 48"H, Adder	174	\$923	
Dual-Face 24"D Carrels				
T31-2436DSC	45-13/16"D x 36-1/2"W x 48"H, Starter	323	\$1,703	
T31-2436DSCA	45-13/16"D x 35-1/2"W x 48"H, Adder	224	\$1,388	
T31-2448DSC	45-13/16"D x 48-1/2"W x 48"H, Starter	369	\$1,829	
T31-2448DSCA	45-13/16"D x 47-1/2"W x 48"H, Adder	270	\$1,516	
Single-Face 30"D Carrels				
T31-3036SSC	29-3/4"D x 36-1/2"W x 48"H, Starter	200	\$1,115	
T31-3036SSCA	29-3/4"D x 35-1/2"W x 48"H, Adder	151	\$908	
T31-3048SSC	29-3/4"D x 48-1/2"W x 48"H, Starter	233	\$1,184	
T31-3048SSCA	29-3/4"D x 47-1/2"W x 48"H, Adder	184	\$980	
Dual-Face 30"D Carrels				
T31-3036DSC	57-13/16"D x 36-1/2"W x 48"H, Starter	343	\$1,810	
T31-3036DSCA	57-13/16"D x 35-1/2"W x 48"H, Adder	244	\$1,477	
T31-3048DSC	57-13/16"D x 48-1/2"W x 48"H, Starter	389	\$1,945	
T31-3048DSCA	57-13/16"D x 47-1/2"W x 48"H, Adder	290	\$1,612	

Post and Panel End Classroom Media Stations				
Model Number	Description	Wt.	List Price	
Single-Face 24"D Carrels				
TPP31-2436SSC	24-3/4"D x 37"W x 48-1/8"H, Starter	103	\$1,471	
TPP31-2436SSCA	24-3/4"D x 35-3/4"W x 48-1/8"H, Adder	79	\$1,049	
TPP31-2448SSC	24-3/4"D x 49"W x 48-1/8"H, Starter	124	\$1,533	
TPP31-2448SSCA	24-3/4"D x 47-3/4"W x 48-1/8"H, Adder	99	\$1,111	
Dual-Face 24"D Carrels				
TPP31-2436DSC	48"D x 37"W x 48-1/8"H, Starter	180	\$2,433	
TPP31-2436DSCA	48"D x 35-3/4"W x 48-1/8"H, Adder	133	\$1,754	
TPP31-2448DSC	48"D x 49"W x 48-1/8"H, Starter	214	\$2,558	
TPP31-2448DSCA	48"D x 47-3/4"W x 48-1/8"H, Adder	167	\$1,815	
Single-Face 30"D Carrels				
TPP31-3036SSC	30-3/4"D x 37"W x 48-1/8"H, Starter	113	\$1,565	
TPP31-3036SSCA	30-3/4"D x 35-3/4"W x 48-1/8"H, Adder	89	\$1,114	
TPP31-3048SSC	30-3/4"D x 49"W x 48-1/8"H, Starter	134	\$1,631	
TPP31-3048SSCA	30-3/4"D x 47-3/4"W x 48-1/8"H, Adder	109	\$1,183	
Dual-Face 30"D Carrels				
TPP31-3036DSC	60"D x 37"W x 48-1/8"H, Starter	200	\$2,588	
TPP31-3036DSCA	60"D x 35-3/4"W x 48-1/8"H, Adder	153	\$1,863	
TPP31-3048DSC	60"D x 49"W x 48-1/8"H, Starter	234	\$2,722	
TPP31-3048DSCA	60"D x 47-3/4"W x 48-1/8"H, Adder	187	\$1,931	

Required to order: Model # including:

- HPL and Melamine selections
- PVC selections
- powder coat selection (if applicable)

Prices and specifications subject to change without notice

www.mediatechnologies.com • Tel: 231-861-2194

P-CLASSROOMMEDIACARRELS-220519

mediatechnologies®