

## Toe Kick & Leg Installation Guide

### Tools Required:

Drill with #3 Phillips bit

### Hardware Included:

5/8" Wood Screw:

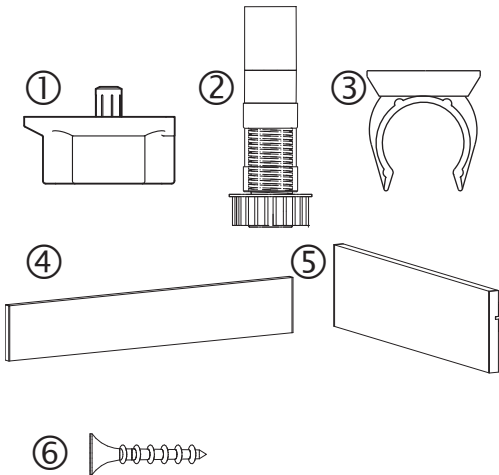
- (4) per Mounting Cap
- (2) per clip

**Toe kicks and legs can be installed on any base or tall cabinet. Be sure to install legs and toe kicks before mounting cabinets onto the track.**

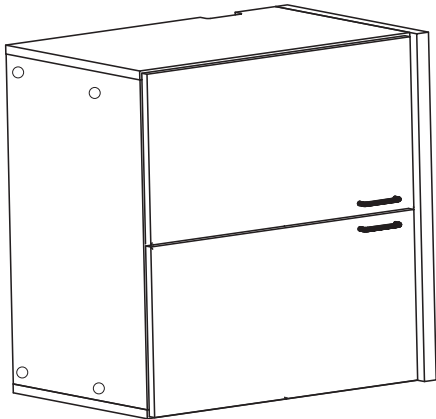
### Notes:

- Toe Kick Side required for each cabinet on either end of the run of cabinets.
- Toe Kick Front required for each cabinet.
- Toe Kick Legs required where necessary for attachment of Toe Kick Sides and Fronts.

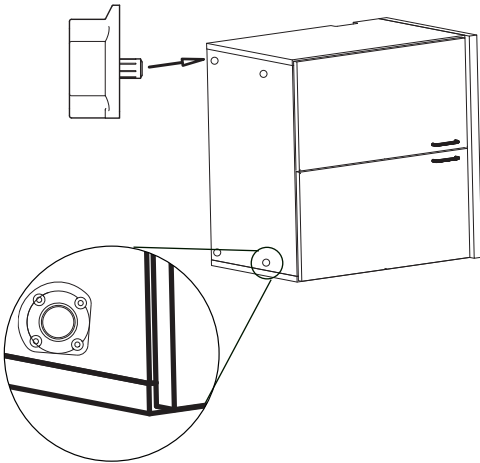
- ① Mounting Cap
- ② Toe Kick Leg
- ③ Attachment Clip
- ④ Toe Kick Front
- ⑤ Toe Kick Side
- ⑥ 5/8" Wood Screw



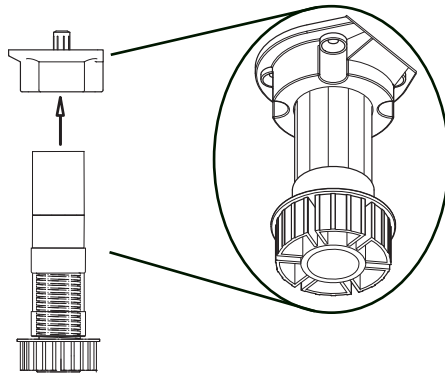
- 1** Place cabinet on its side on top of a clean padded surface.



- 2** Insert dowel part of mounting cap into the hole on underside of cabinet. Flat sides of cap pointing outward (making a 90° angle). Screw (4) wood screws into cap top.

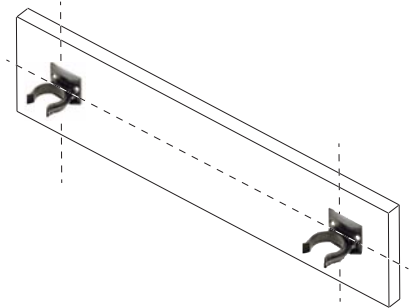


- 3** Connect the Adjustable Foot to the mounting cap.



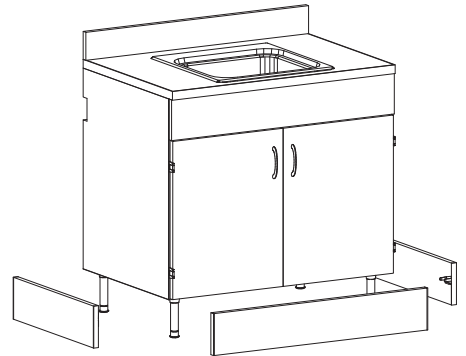
**Note:** Cabinet can now be attached to track. Adjust/level legs as needed.

- 4** Mount the attachment clips in desired location, approximately centered on the Toe Kick and leg, using (2) wood screws per clip.



*All clips must be mounted horizontally.*

- 5** Attach Toe Kick Sides and Fronts to legs, by snap on connection.



**Improper Installment Voids the Warranty.**